

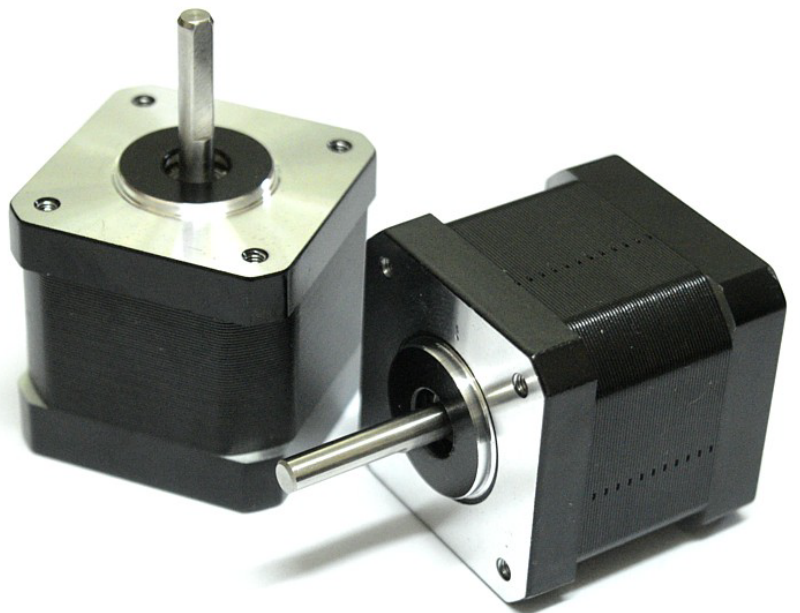


EINSTRONIC
TURN ON THE FUTURE

STEPPER MOTOR

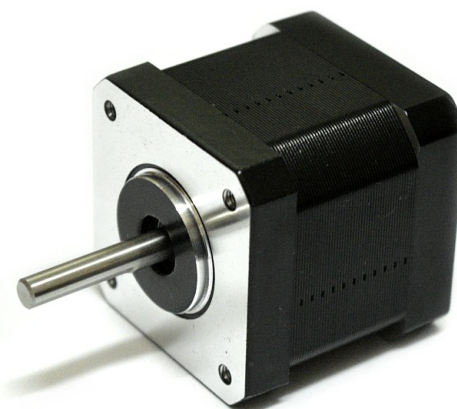
NEMA17

JULY 2017



Feature

- ▶ Pure Enameled Copper is used for stator coils for excellent electrical conductivity, better heat conduction.
- ▶ Rotor is coated with anti-corrosive coating to extend the shelf life of magnet core.
- ▶ Double bearing on rotor shaft to reduce mechanical noise.
- ▶ Rotor shaft is stiff for better durability.



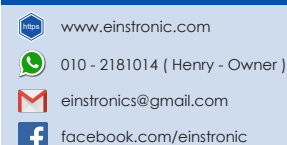
42BYGH SERIES

Model	Current (A)	Torque (N.cm)	Inductance (mH/Phase)	Weight (g)	Rotor Inertia (g.cm ²)	Price (RM)
42BYGH33	1.3	0.25	2.5	220	35	35.00
42BYGH34	1.3	0.30	2.5	220	35	39.00
42BYGH34-1304B	1.3	0.30	2.5	250	35	39.00
42BYGH40	1.7	0.45	3.2	320	54	49.00
42BYGH40-1704B	1.7	0.45	3.2	350	54	49.00
42BYGH48	1.7	0.55	2.8	400	68	69.00
42BYGH48-1704B	1.7	0.55	2.8	430	68	69.00
42BYGH60-01	1.5	0.80	7.0	550	102	89.00

17HS SERIES

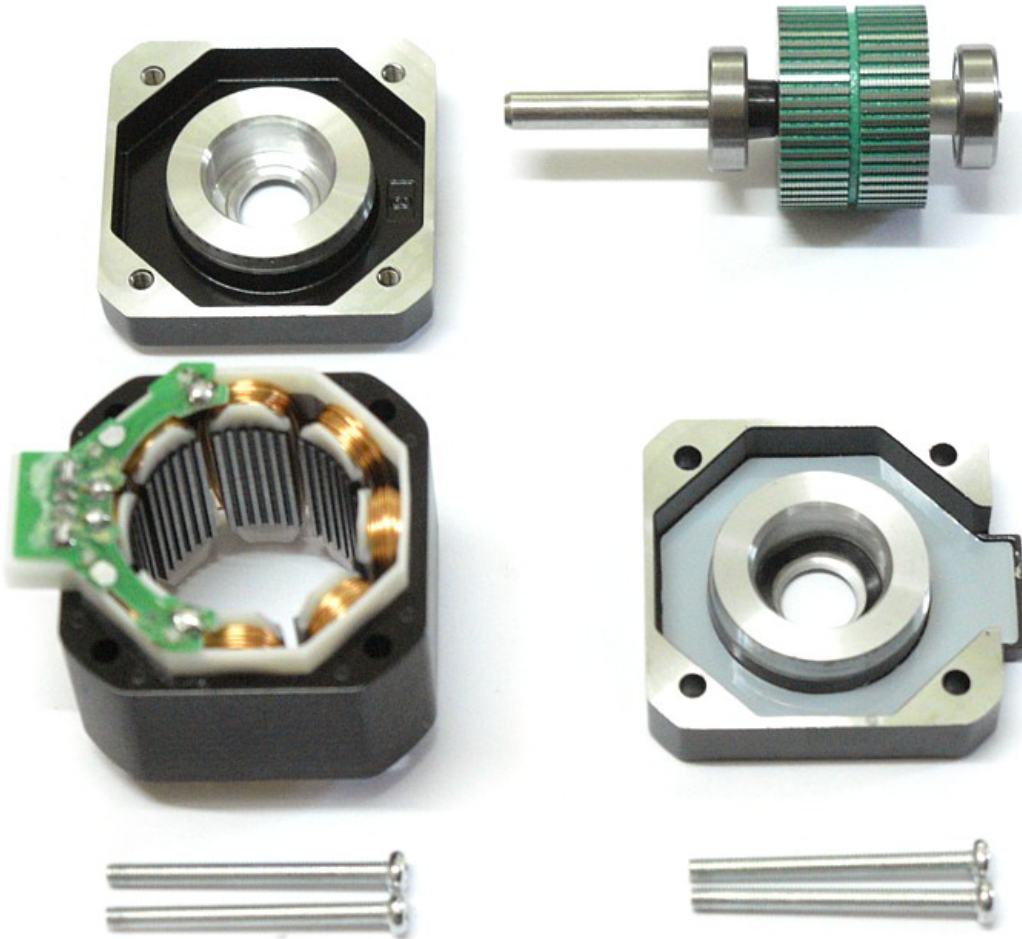
Model	Current (A)	Torque (N.cm)	Inductance (mH/Phase)	Weight (g)	Rotor Inertia (g.cm ²)	Price (RM)
17HS3401	1.3	0.26	2.5	220	35	39.00
17HS1352	1.3	0.30	2.5	220	35	39.00
17HS4401	1.7	0.36	2.8	280	54	49.00
17HS1538	1.7	0.45	3.2	320	54	49.00
17HS1910	1.7	0.50	2.8	400	68	69.00
17HS8401	1.7	0.50	2.8	400	68	69.00
17HS6001	1.5	0.80	7.0	550	102	89.00

CONTACT INFORMATION

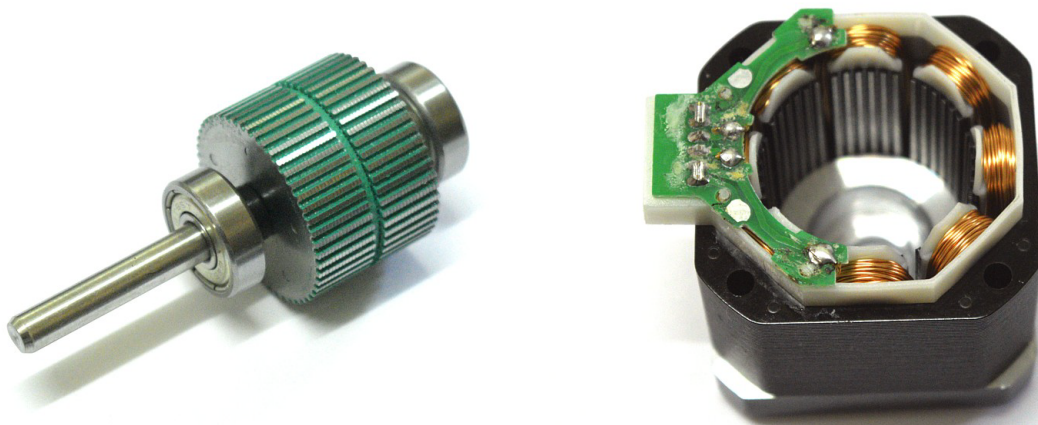


NEMA Stepper Motor

INTERNAL STRUCTURE



LAMINATED & INSULATION-COATED HOUSING

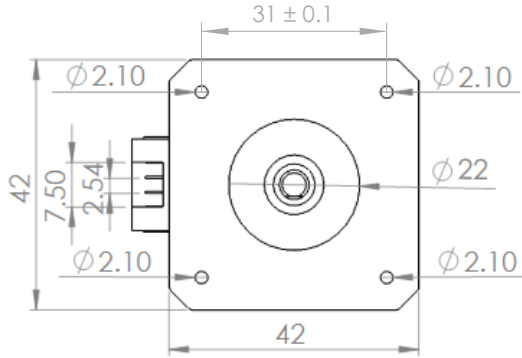


*STRONG MAGNET CORE &
DOUBLE ROTOR BEARING*

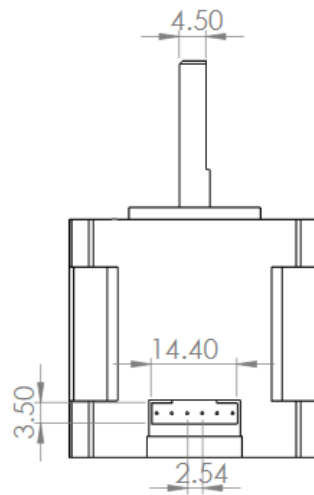
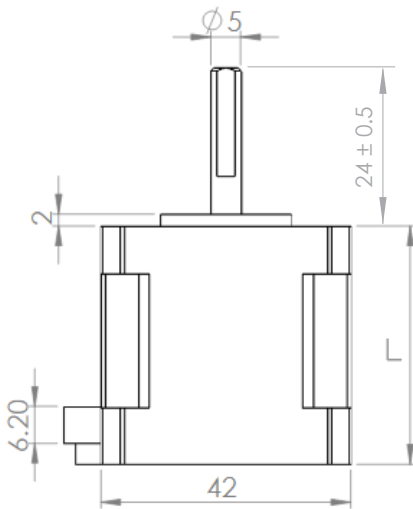
*PURE ENAMELED
COPPER COIL CORE*



PHYSICAL DIMENSION



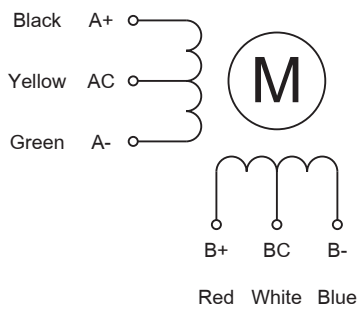
* DIMENSION VALUES ARE MEASURED, IN MM



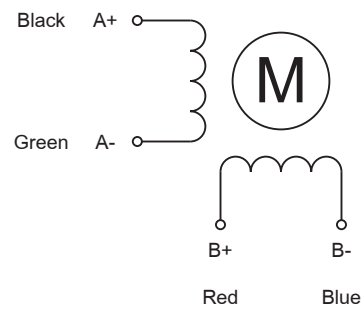
Model	Length (mm)
42BYGH33	33
42BYGH34	34
42BYGH40	40
42BYGH48	48
42BYGH60	60
17HS1352	34
17HS3401	34
17HS4401	40
17HS1538	40
17HS1910	48
17HS8401	48
17HS6001	60

ELECTRICAL WIRING

6-Wire Configuration



4-Wire Configuration



CONTACT INFORMATION

